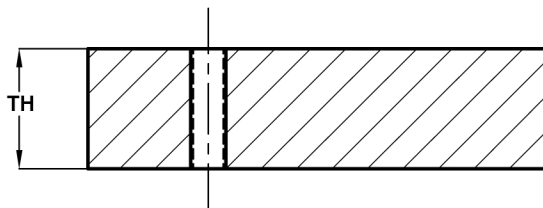


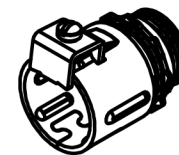
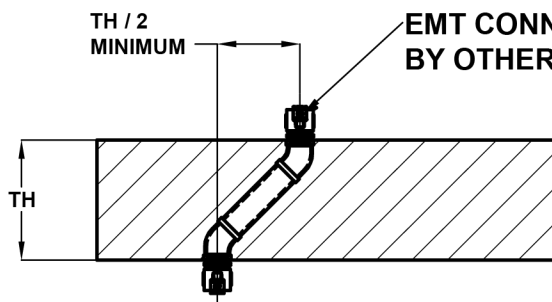
PENETRATIONS

WITHOUT
OFFSET



OPENINGS MORE THAN 1-1/2"

WITH
OFFSET



OPENINGS SMALLER
OR EQUAL 1 1/2" Ø

