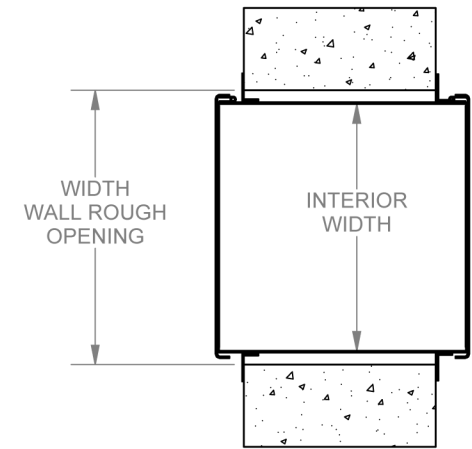
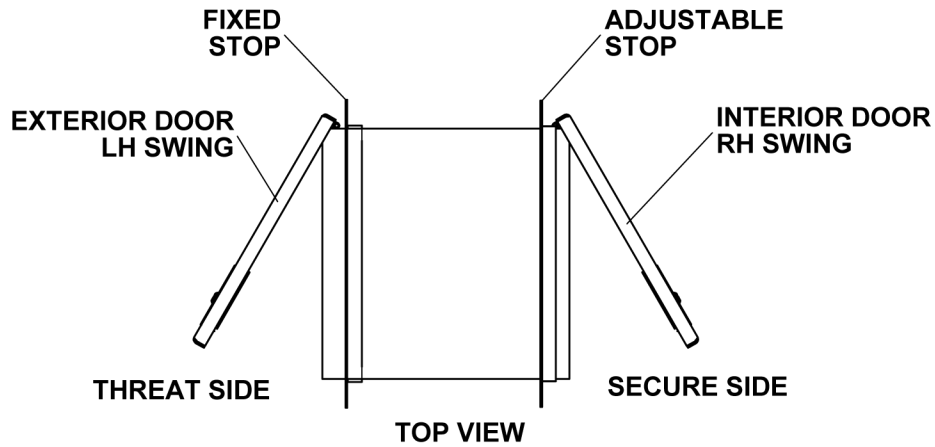
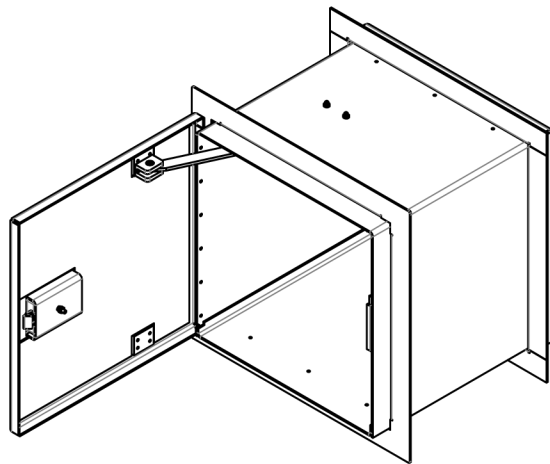


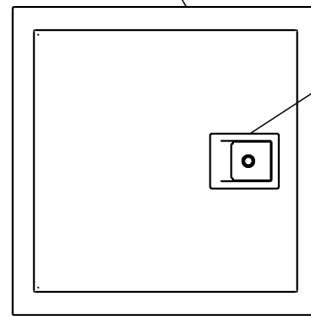
PACKAGE RECEIVER



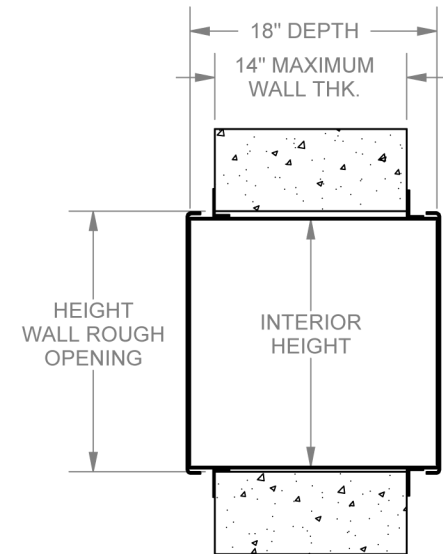
HORIZONTAL SECTION



HIGH GRADE STAINLESS STEEL



EXTERIOR VIEW



VERTICAL SECTION